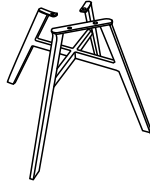


ASSEMBLY INSTRUCTION

Ax1



Bx1



Cx4



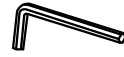
M6x20mm

Dx4



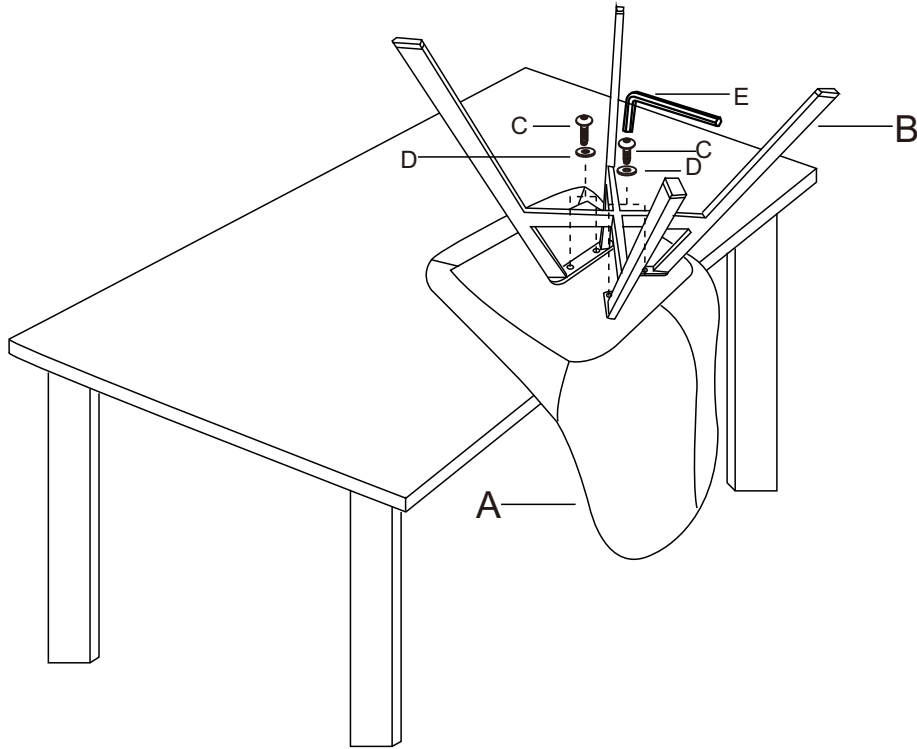
M6x ϕ 16mm

Ex1



M6

STEP1



STEP2

